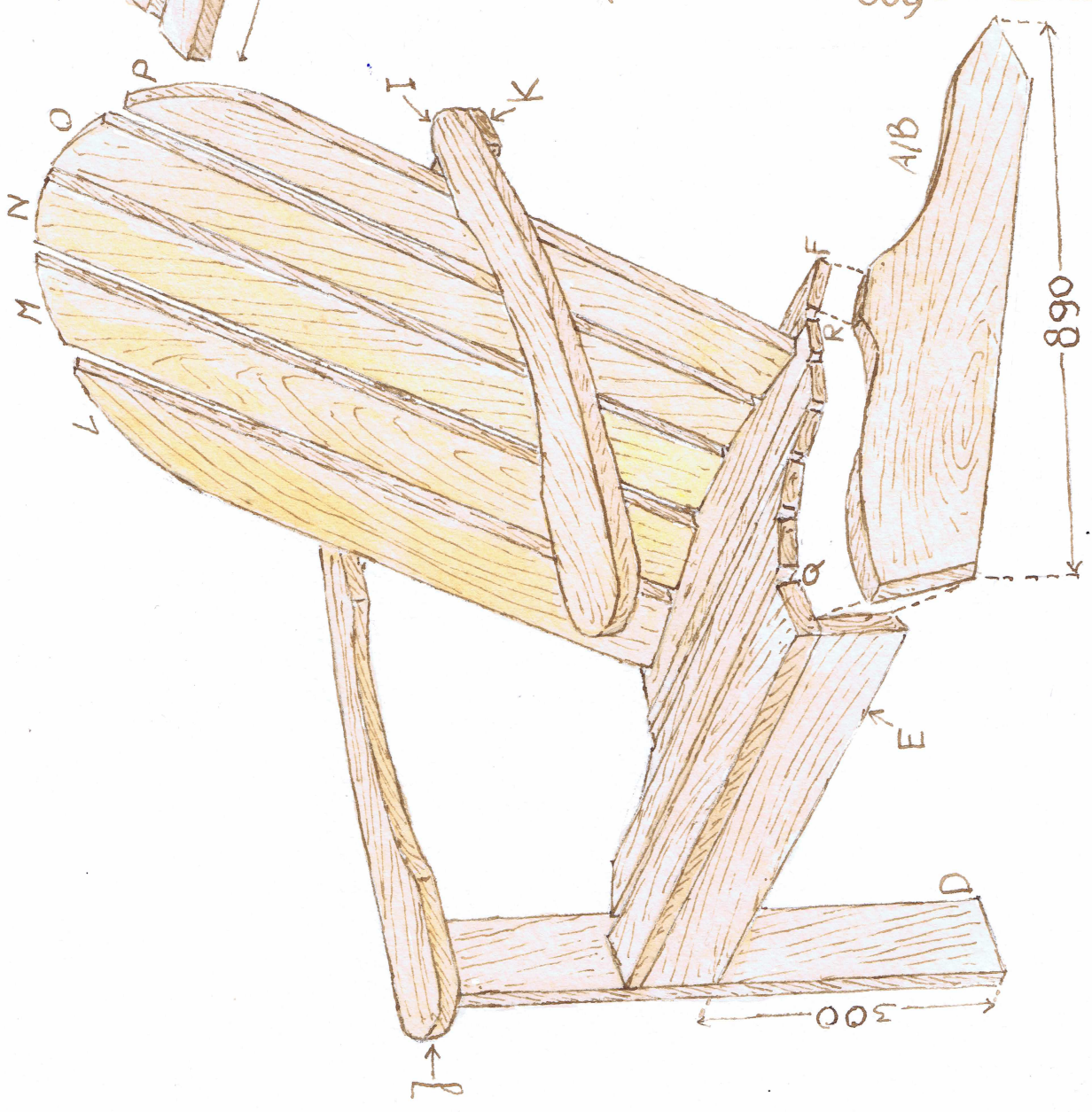
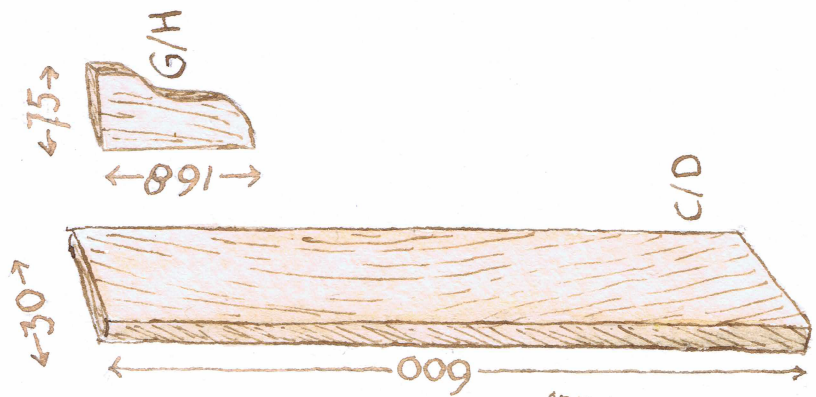
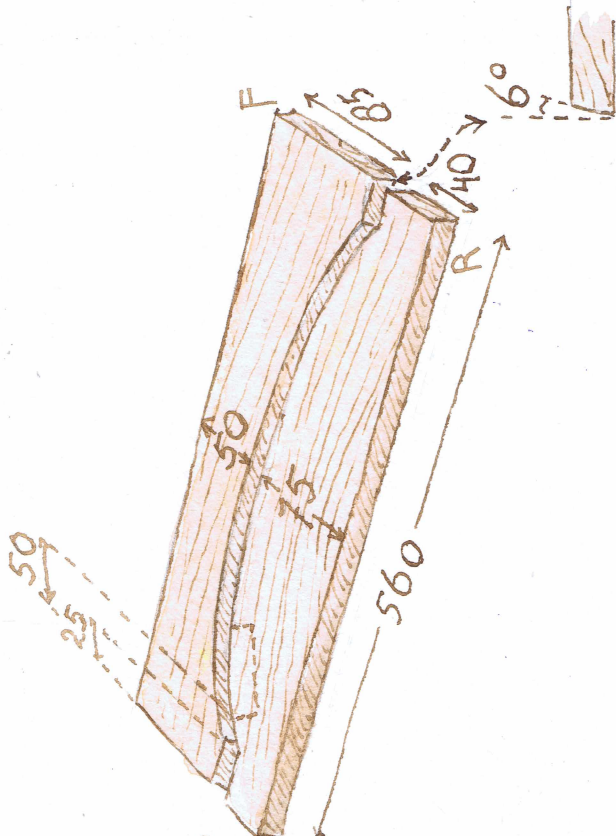
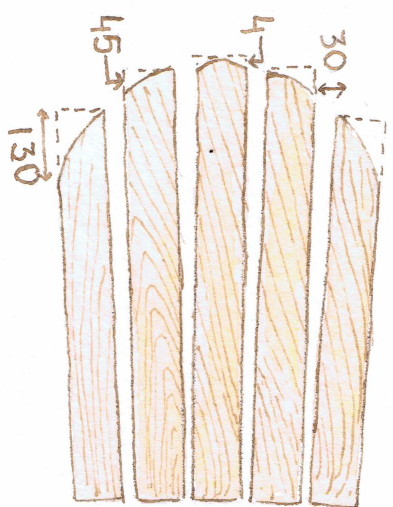
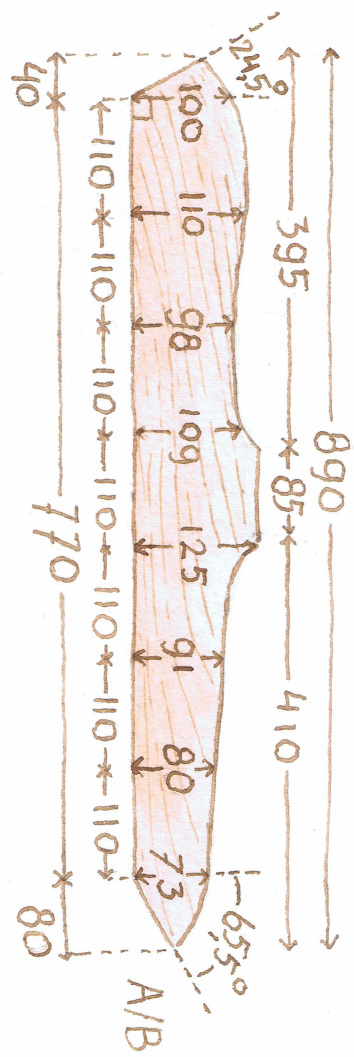
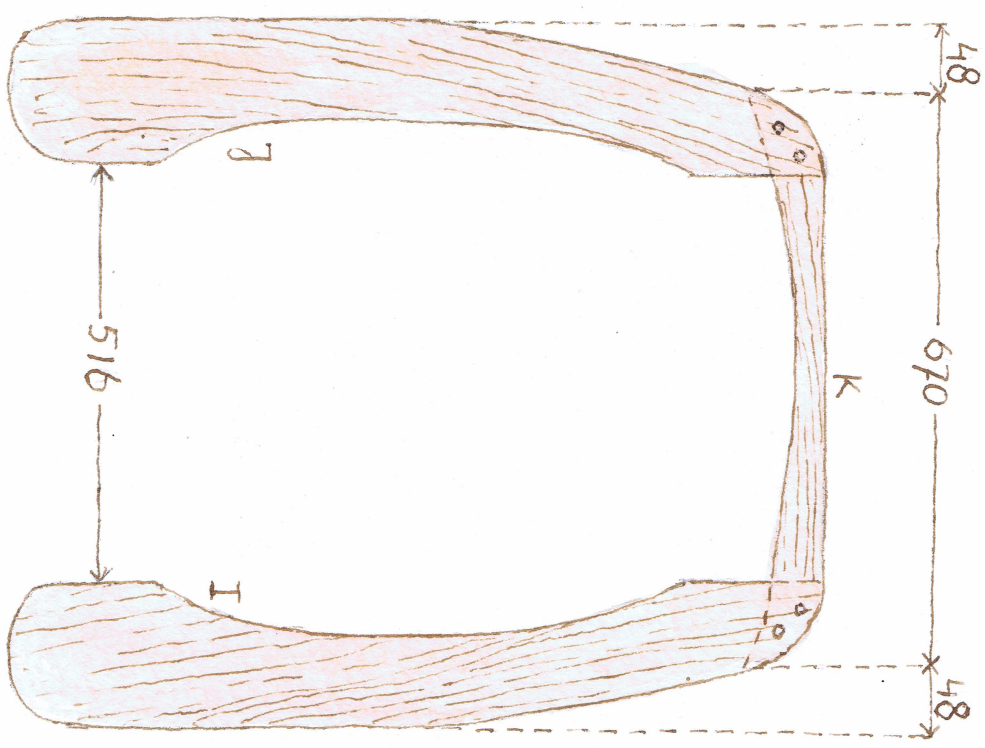
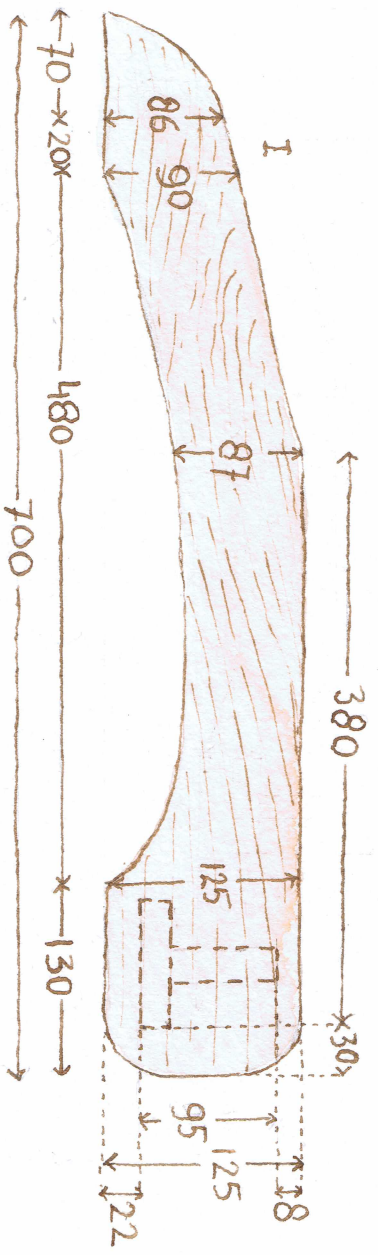
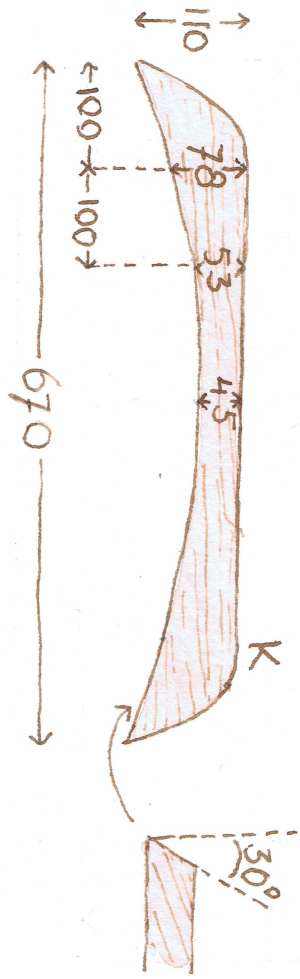


Landbeven 2018-4
Steel 1 20-11-2017
Mody Nigenkuro-Han.





- P: 705 x 90
- O: 770 x 90
- N: 780 x 90
- M: 770 x 90
- L: 705 x 90



Landloven 2018-4
 Steel 2 20-11-2017
 Mady Nijenkuisman